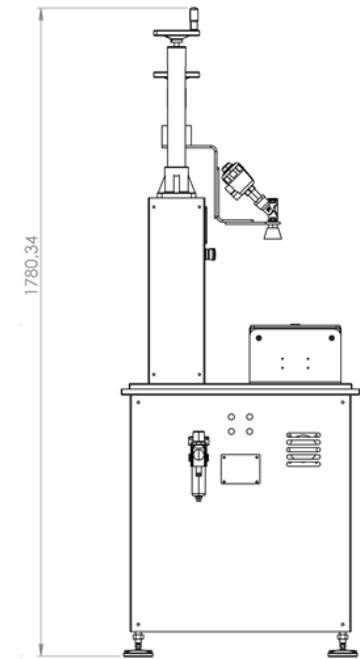
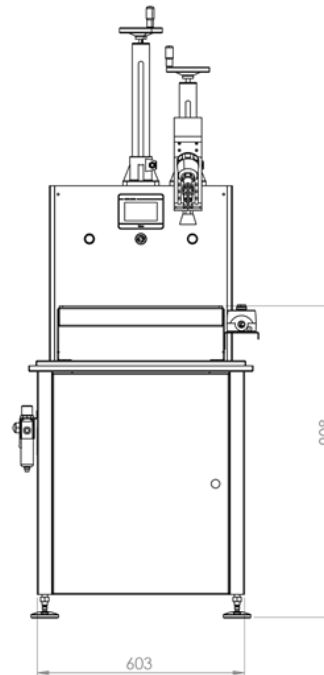


# SV-1 y SV-5

Semi-automatic volumetric dispenser with an easy-to-use and low-maintenance nozzle for filling up to 5 litres.

Adaptable to products from different sectors; food, chemical, etc.

Made of very resistant materials with chassis and coating in aluminium and AISI 304 steel. Possibility of dosing of a wide variety of liquid, dense, semi-dense products, etc. Volume adjustment to fill by millimetre column.



## CHARACTERISTICS

**Capacity:** Up to 1 litre (model SV-1), up to 5 litres (model SV-5).

**Nozzle:** 1 vertical adjustable nozzle.

**Dosed:** By means of total glass in stainless Steel. vertical adjustable nozzle.

**Control:** Via 4.3-inch colour touch screen.

**Dosing regulation:** It will be done by millimetre column.

**Protection:** According to CE regulations; start button, emergency stop, etc.

MARCOPACK, S.L. - P.I. Saladar I - Avd. Papá Ali s/n 30564 Lorquí (Murcia) Spain • Tlf.: +34 968 692 265 - Fax: +34 968 692 053

www.marcopack.com - E-mail: [marcopack@marcopack.com](mailto:marcopack@marcopack.com)

Marcopack reserves the right to modify its design and specifications without incurring any obligation because this product is subject to continuous improvement

# MarCoPack

