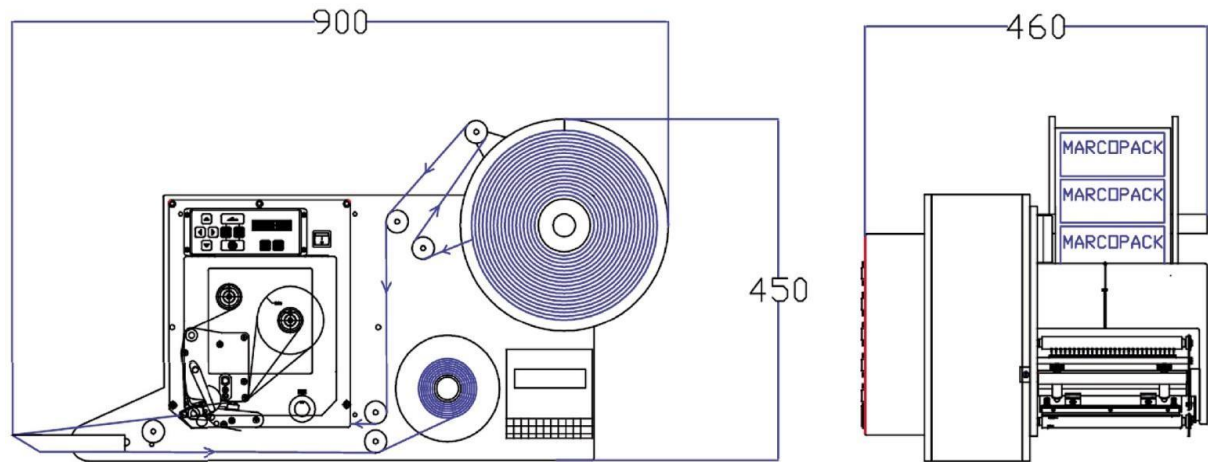


# ST 418

Designed to print and apply self-adhesive labels on any type of packaging. High performance due to its speed, resolution and independent label traction system. You can print barcodes, logos, expiration dates... Reduce label stock by printing them as they are applied. Independent base to place the machine where your labeling needs it.



Optional



## CHARACTERISTICS

**Resolution:** 203/300 DPI.

**Print speed:** Maximum 18 meters per minute.

**Print width:** 104 mm – 162 mm.

**Maximum ribbon length:** Max. 600 m

**Maximum ribbon width:** 110-170 mm.

**External diameter of labels:** 300 mm (400 mm optional).

**Ethernet:** Optional.

### OPTIONAL:

- Pneumatic arm to apply label in corner, specially designed for boxes, trays...
- Automatic arm with venturi adsorption system to apply labels on the front or above.
- Pneumatic piston.

# MarCoPack

ISO 9001  
BUREAU  
CERTIFICATION

ISO 9001  
BUREAU VERITAS  
Certification



MARCOPACK, S.L. - P.I. Saladar II – Calle 2, Manzana 38-6 • 30564 Lorquí (Murcia) Spain • Tlf.: +34 968 692 265 - Mobile: +34 674 147 272  
www.marcopack.com - E-mail: [marcopack@marcopack.com](mailto:marcopack@marcopack.com)

Marcopack reserves the right to modify the design and specifications of this machinery, as it is a product in continuous development.

