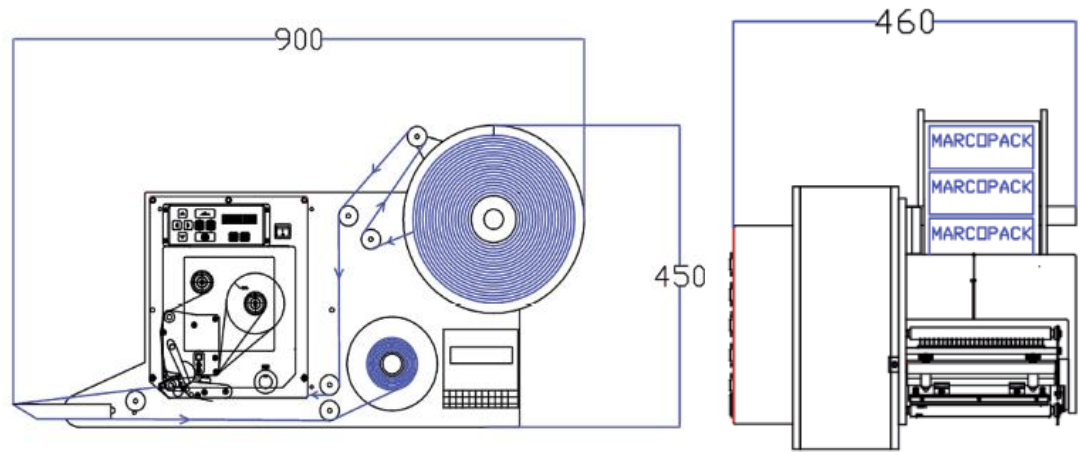


ST 418

Designed to print and apply self adhesive labels on any kind of packaging, high performance printer because his speed, his resolution and an independent drive system. You can print barcodes, logo, expiry date...

Reduce your stock of labels by printing its at the moment to apply. Independent base to place the printer where your packaging needs.



CHARACTERISTICS

Resolution: 200/300DPI

Printer Speed: 18 meters per minute

Max Print width: 104 - 116 mm

Max print length: It depends on the printer model.

Max ribbon length: Up to 900m, it depends on the printer model.

Max ribbon width: 110mm – 160mm

External diameter labels: 300/400mm (Optional)

USB: Yes.

Ehernet: Optional.

OPTIONAL: Pneumatic arm to apply label on corner, especially for boxes, trays...

Pneumatic arm with venturi system to apply label on front or top.

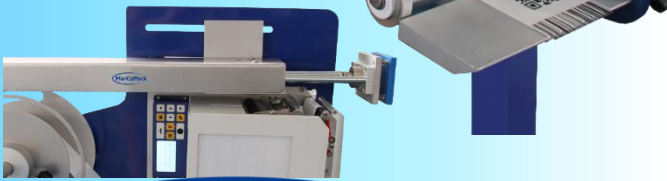
MARCOPACK, S.L. - P.I. Saladar I - Avd. Papá Ali s/n 30564 Lorquí (Murcia) Spain • Tlf.: +34 968 692 265 - Fax: +34 968 692 053

www.marcopack.com - E-mail: marcopack@marcopack.com

Marcopack reserves the right to modify its design and specifications without incurring any obligation because this product is subject to continuous improvement



OPTIONAL:



MarCoPack