

MCP 600T

WITH ON/OFF SYSTEM

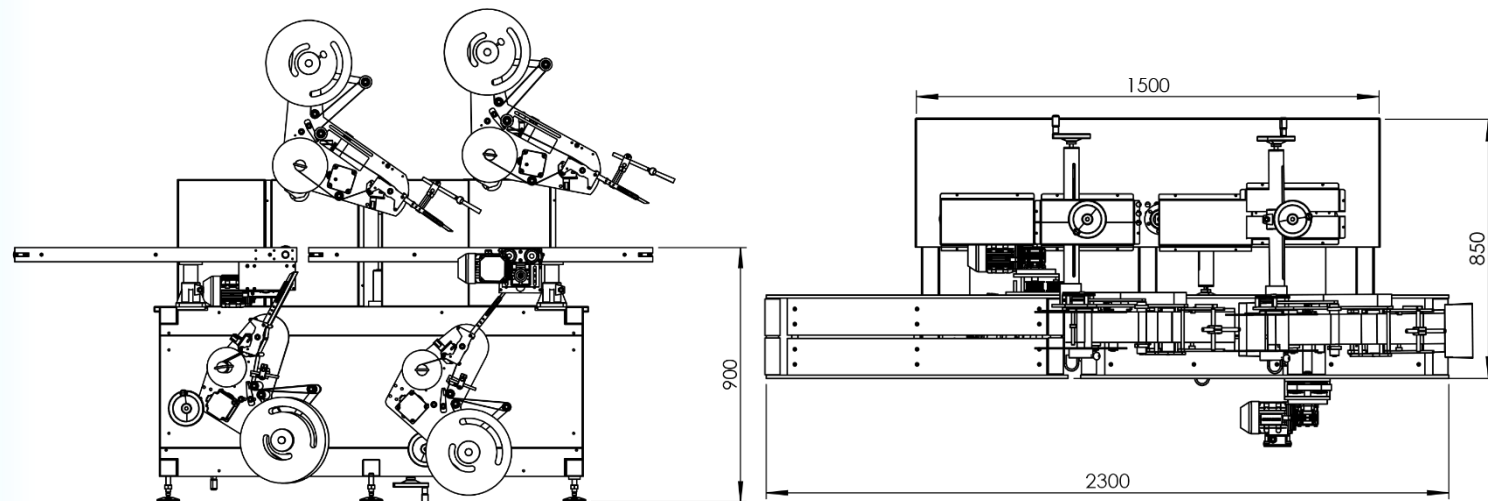
Automatic labeling machine with two upper and two lower heads for applying an upper and/or lower label on containers.

With this double applicator system, only one of the heads works, being replaced by the other when the roll of labels runs out, minimizing stops on the production line.

The system includes an automatic lift for convenient labeling machine preparation.

The equipment also has a speed-adjustable tray separation system. Made of stainless steel.

Regulation of the different parameters of the labeling machine is controlled by a 256-color touch screen.



CHARACTERISTICS

Production speed: maximum 12.000 packages per hour.

Dispensing speed: maximum 50 meters per minute.

Label length size: 12mm - indeterminate.

Label width size: 10mm minimum – 120mm – 205mm maximum according to the model.

External diameter labels: 300mm. 400mm Opcional.

Inside reel diameter: 40 or 76mm.

Motorization: Step by step motors.

Product size: Different sizes are allowed.

Power supply: 230 V, 50 – 60 Hz.

Compressed air: 5 Bars with print system.

OPTIONAL: Protective Enclosure: chassis made of Stainless steel and polycarbonate doors for easy access from both sides. Automatic Stop Line system activates in case of a door inadequately opened.

MARCOPACK, S.L. - P.I. Saladar I - Avd. Papá Ali s/n 30564 Lorquí (Murcia) Spain • Tlf.: +34 968 692 265 - Móvil: +34 674 147 272
www.marcopack.com - E-mail: marcopack@marcopack.com

Marcopack reserves the right to modify the design and specifications of this machine, as it is a product under continuous development.



MarCoPack